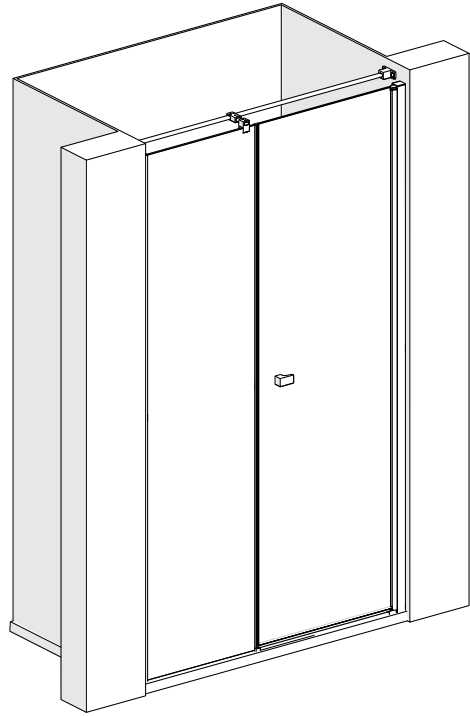
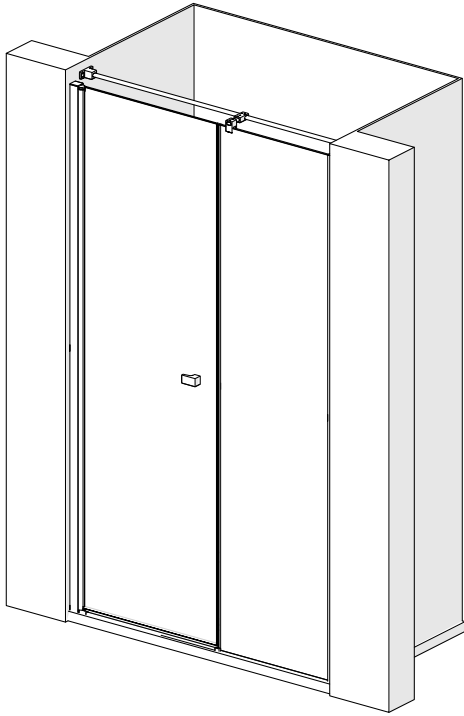




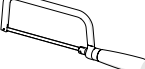

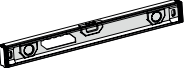




SNPDP & SNPRFP



x2

 Pozi-head Screwdriver	 Clear Silicone Sealant	 Drill (Battery or Mains)	 Scissors	 Hacksaw
 6mm Appropriate Drill Bit	 Spirit Level	 Tape Measure	 Pencil	

Please read these instructions throughout before installing as incorrect fitting will invalidate the guarantee.
If you are unsure about these instructions please contact your supplier.

Important

Check appearance of all product - any defects must be reported to your retailer before assembly/installation. Claims for imperfections will only be accepted prior to assembly/installation.

Any claims made under the terms of the Lifetime Guarantee must be reported to your retailer within 21 days of the fault occurring.

Check the enclosure adjustment sizes are suitable for your installation.

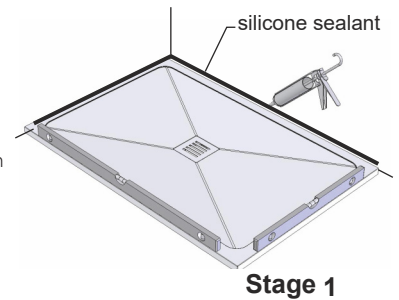
Use care when drilling into the walls to avoid hidden pipes or electric cables.

SHOWER TRAY

Ensure the top of shower tray is LEVEL in ALL directions.

Once the tray is installed but before the wall tiles are fitted, any gap between the tray and the walls must be filled with silicone sealant flush with the top of the tray.

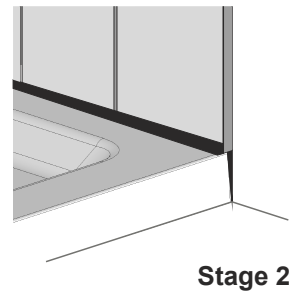
***Please note, enclosure is suitable for wetroom install also.**



WALLS

Once the walls have been tiled but before the enclosure is installed, the tiles must be silicone sealed to the tray all of the way around in one continuous bead.

Failure to follow these instructions will result in leakage problems.



CLEANING - GENERAL

For the wall post and fixings use only warm soapy water and damp cloth/ sponge on a regular basis. After cleaning please rinse with clean water to remove any residue.

DO NOT use abrasive scouring powders, chemicals or aerosol cleaners - these may result in damage to the surfaces, in particular, the plated component parts.

GLASS TREATMENT

The glass panels are pre-treated with a protective coating on the inside surfaces only. Whilst this makes cleaning the glass easier and helps prevent the build up of harmful lime-scale and soap deposits, the glass still needs to be maintained on a regular basis. We recommend the use of a detergent and aroma free glass cleaner (A 50/50 mix of white vinegar and water works well)

DO NOT use strong detergents, abrasive cleaners or abrasive scrubbing equipment for cleaning, these can damage the coating.

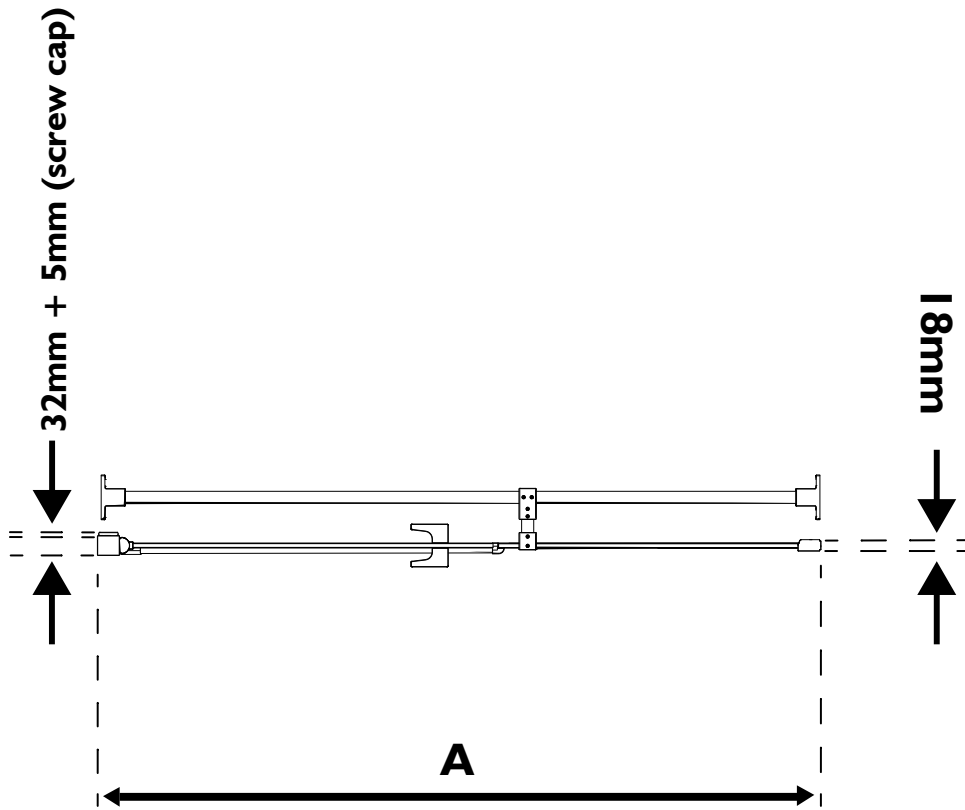
DO use a squeegee to remove remaining droplets of water from glass after showering, any build up of residue can be removed easily using an appropriate cleaner and agitation from soft cleaning equipment

**THESE INSTRUCTIONS ARE TO BE LEFT
WITH THE CONSUMER**

PANEL SIZES AND ADJUSTMENTS

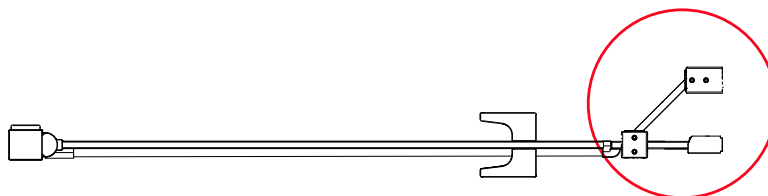
PRODUCT	PACK DESCRIPTION		DIMENSIONS (mm)
PIVOT	RECESS IN-LINE PANEL PACK	DOOR PACK	A
800	800 RECESS FIXED PANEL (C/BK)	UNIVERSAL PIVOT DOOR PACK (C/BK)	765 to 805
900	900 RECESS FIXED PANEL (C/BK)	UNIVERSAL PIVOT DOOR PACK (C/BK)	865 to 905
1000	1000 RECESS FIXED PANEL (C/BK)	UNIVERSAL PIVOT DOOR PACK (C/BK)	965 to 1005
1200	1200 RECESS FIXED PANEL (C/BK)	UNIVERSAL PIVOT DOOR PACK (C/BK)	1165 to 1205

ENCLOSURE HEIGHT = 2000mm



Left Hand Configuration Shown

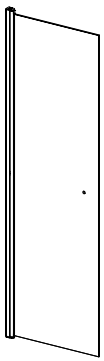
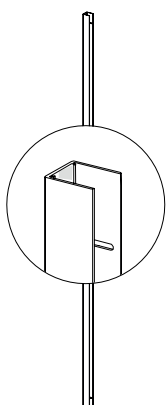


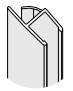
(800MM RECESS ONLY)




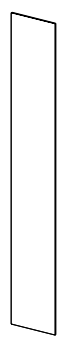
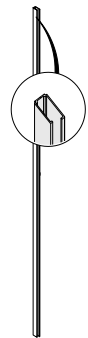



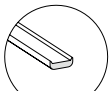

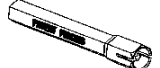
Important


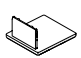
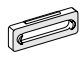
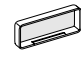



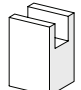
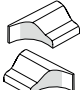
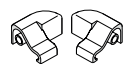


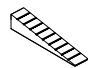
THIS INSTRUCTION IS TO INSTALL A RECESS OPTION ONLY. FOR A CORNER YOU WILL NEED TO PURCHASE A CORNER PACK.

PARTS LIST - DOOR PACK FOR RECESS

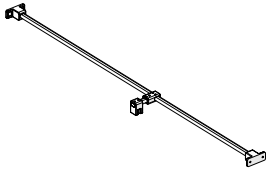
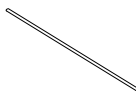



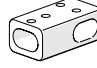


 1 x Door Assembly	 1 x Wall Post PD401-S-01	 1 x PD199 Threshold Strip
		 1 x PLEXRF052 Door Seal
		 1 x PLEXRF-051 Door Stop Seal

PARTS LIST - INLINE PACK FOR RECESS

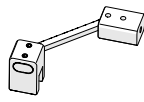


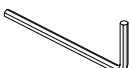
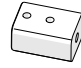


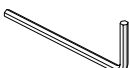
		
 1 x Fixed Panel	 1 x Wall Post 50322	 1 x Glazing seal 31107
		 3 x No 4.2 x 30 CSK
		 3 x 6mm Wall Plugs
 1 x Fixed Panel Trim	 1 x 81190 / 91 Cover Cap (L, R)	 1 x Screw holder

	 1 x M503-01	 3 x M507-01 Wall Post Screw	 3 x M506-01 Wall Post Screw Cap	 1 x 934-HNDL-34	 1 x 4mm Allen Key	 3 x No.6x13 PH S/S
	 1 x BLOCK-SOM	 1 x M500-01/02 PD199 End Cap, Pivot (L,R)	 1 x M501-01/02 PD199 End Cap, Panel (L,R)	 5 x No.8x30 PH S/S	 5 x 6mm Wall Plugs	 1 x M193-01 Shim

PARTS LIST - STABILISER BAR FOR RECESS (900 - 1200)

	 x2 PD170 , 1x 1200mm , 1x 69mm	 4 x No 8 x 30 CSK	 4 x 6mm Wall Plug
 1 x 3mm Allen Key	 1 x Rail connector assembly DCM50-ASM	 2 x Wall Mount assembly DCM63-ASM	 1 x Oval Glass Clamp Assembly DCM49ASM

PARTS LIST - ANGLED BAR FOR RECESS (800 MM ONLY)

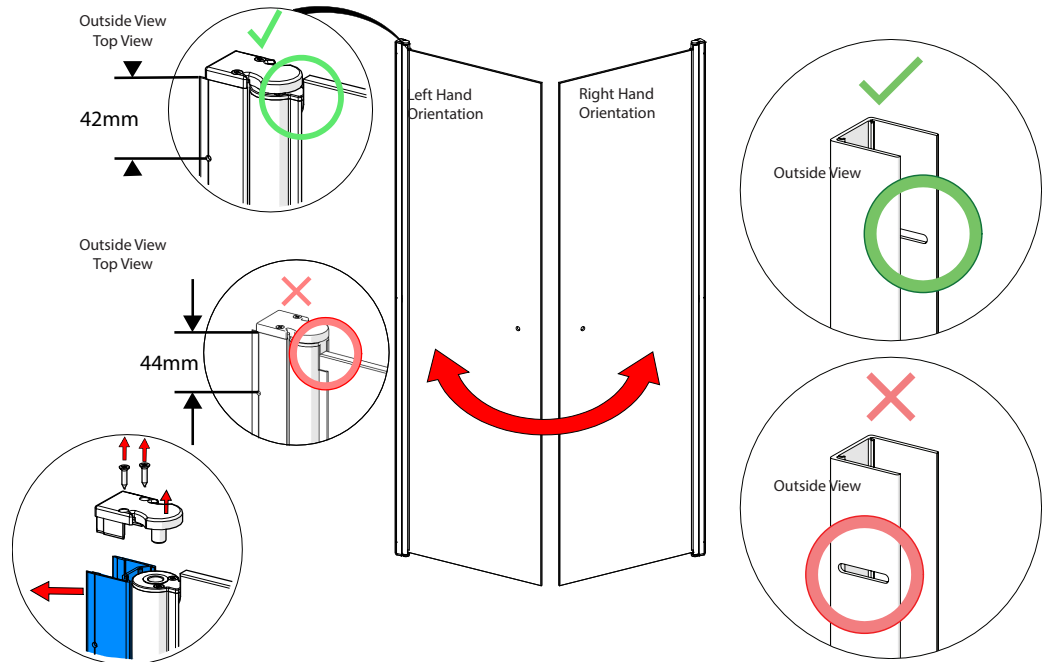
	 x1 MSO 82.5mm	 1 x No 8 x 30 PAN SK	 1 x 3mm Allen Key
 1 x Wall Mount Assembly DCM51-ASM	 1 x 6mm Wall Plugs	 1 x Oval Glass Clamp Assembly DCM49ASM	 1 x 3mm Allen Key

INSTALLATION STEPS

STEP 1. Decide Handing of Door

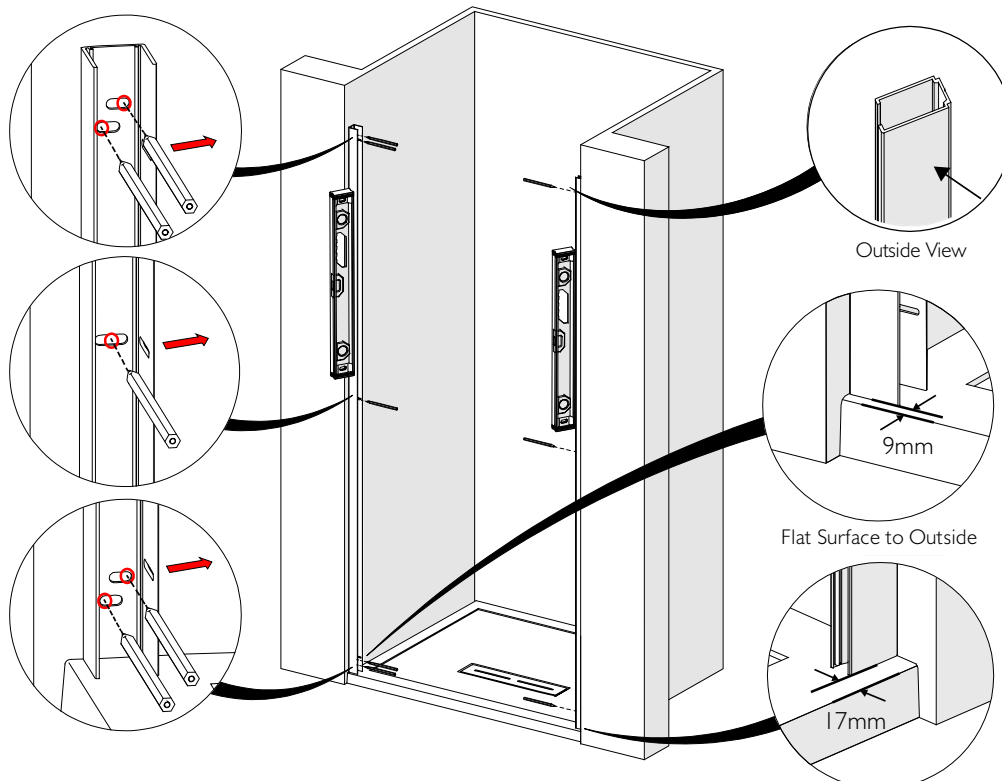
1. Determine whether door is to be left or right hand opening. You can determine which is the top end of the Door Assembly using the detail shown. To make left hand or right hand the Door assembly simple needs to be flipped to the side.
2. The wallpost needs to have the slots on the inside of the enclosure, as shown in detail. To make left hand or right hand you simply need to flip the wallpost over, as shown.
3. Check the hole dimension distance at the top. **It MUST be 42mm**. If it's 44mm you'll need to remove the top cast via the two CSK screws. Then rotate the extrusion (highlighted blue) so the hole that is 42mm from the edge is at the top.

Detail shown for a left hand configuration.



STEP 2. Position and Mark Wallposts

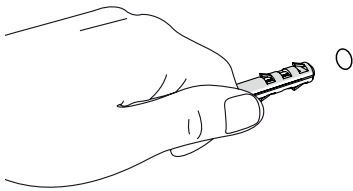
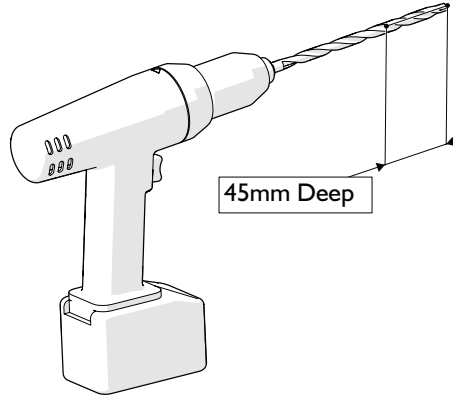
1. Position wallpost for door (with side slots to inside) 9mm in from front edge of tray, as shown below. Using spirit level to ensure wallpost is vertical, mark through the 5 slots onto the wall surface as shown and remove wallpost. Important to mark the holes as indicated in red below, to the ends of the slots.
2. Position in-line panel wallpost (with the shortest width section of the wall post positioned inside) 17 mm in from front edge of tray, as shown below. Using spirit level to ensure wallpost is vertical, mark through the 3 holes onto the wall surface and remove wallpost.



DRILLING AND FITTING

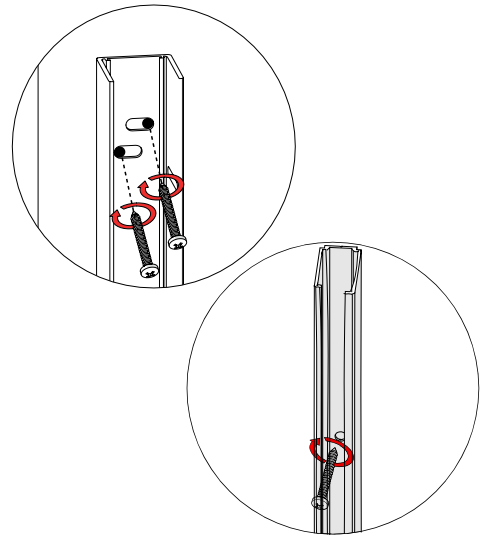
STEP 3. Drill Mounting Holes

1. Remove the wallposts. Placing safely off to one-side.
2. Using a 6mm masonry drill bit and drill (or appropriate drill bit if drilling tiles), drill five holes for the door wallpost and three holes for the inline panel wallpost using the 'spot' marks from step 2, each hole should be 45mm in depth.
3. Insert the eight '6mm Wall Plugs' into the six holes.



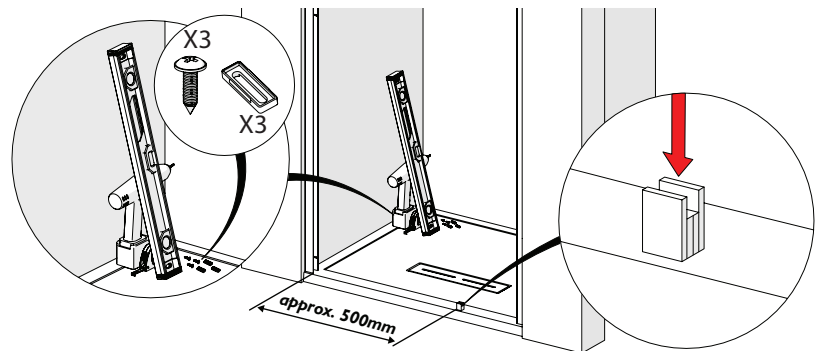
STEP 4. Fix Wallposts

1. Fix the door wallpost using 5 x No.8x30 PH Screws provided. Fix the inline panel wallpost using 3 x No 4.2x30 CSK. Tighten all screws using pozi-head screwdriver, ensuring the wallpost is vertical.



STEP 5. Preparation to Install Door Assembly

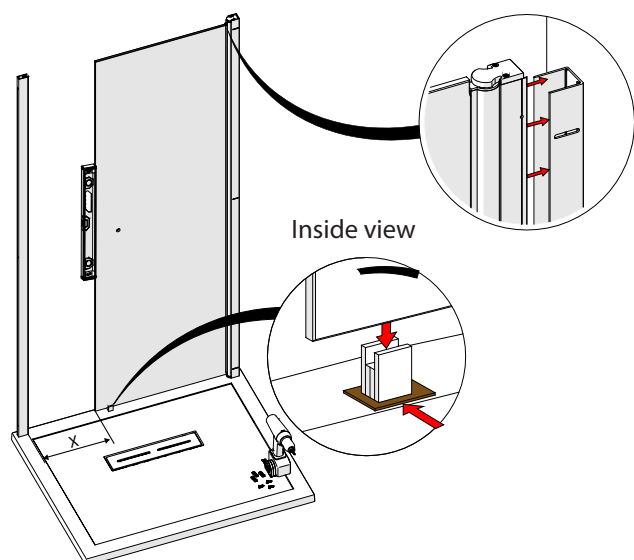
1. Place your drill, spirit level, tape measure, 3 x No.6x13 PH S/S Shallow and 3 x M507-01 (from the Door Installation Pack) inside the enclosure in the corner as shown. **Ensure the tray is adequately protected beforehand.**
2. Acquire 'BLOCK' (BLOCK-SOM) from the Door Installation Pack and place as shown roughly 500mm from the Door Wallpost.



STEP 6. Position Door Assembly

1. Carefully fit Door Glass Assembly into wallpost. Slot the glass into the 'BLOCK' already positioned, as shown. This will take the weight of the door. **Use your level to make sure the door edge is 'plumb' vertical. If not 'plumb' vertical use additional packing (e.g cardboard) to raise the 'Packer', as shown.**
2. Position vertical edge of the Door Glass 'X' mm to the In-Line Panel wallpost, as shown - refer to table to the right.

Door Size (nominal)	'X' Dimension
800	98-128
900	198-228
1000	298-328
1200	498-528

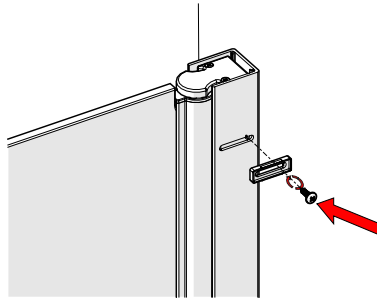


STEP 7. Fix Door Assembly

1. Take the three 'Wallpost Screw Mouldings' from the Door Installation Pack and place them into the slots on the Door Wallpost from the inside of the enclosure, as shown.

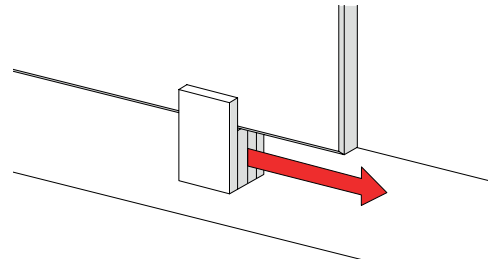
2. Fix the door Assembly in position using the 3 x No.6x13 PH S/S Shallow, as shown.

Note: if you find the brush seal isn't in contact with the pivot barrel simply loosen the middle screw and level outwards the inner profile until the brush seal makes contact with the barrel. Retighten screw.



STEP 8. Remove Door 'BLOCK'

1. Remove 'BLOCK' from under the Door Glass by sliding out, as shown below. **Do not discard.**



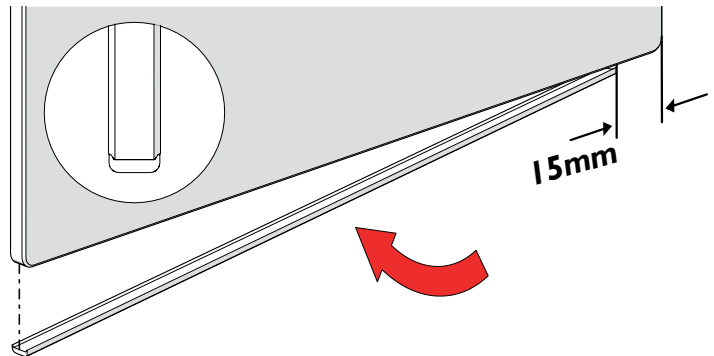
STEP 9. Fit Bottom Trim to Inline Panel

1. Take note of label 'This surface to outside' this will determine which is the bottom edge of your installation.

2. Clean glass edge, then make sure it's completely dry.

3. Acquire the WTR-0001 Trim. Peel off a small length of the bottom trim adhesive tape and apply to bottom of glass panel 15mm from the end that will be going into the wallpost, as shown. Make sure no 'dirt' gets on the adhesive strip. Continue along length of trim, peeling away the tape as you go, until the full trim length is adhered to the panel.

Use small upturned edges on bottom trim against chamfered glass edges to ensure trim is fitted centrally.

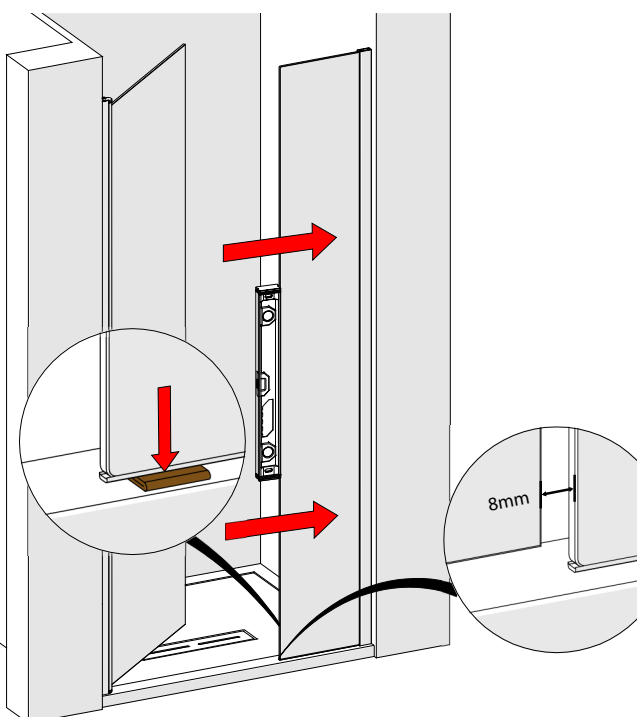


STEP 10. Insert Inline Panel

1. Carefully fit glass panel into slot in wallpost, ensuring panel is parallel to tray edge. Ensure outer edge of in-line panel is plumb vertical, as shown, using spirit level.

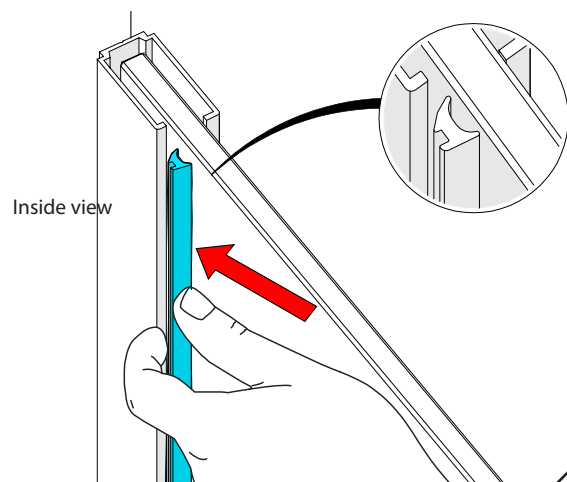
2. Acquire a tape measure, measure distance between glass door and in-line panel to ensure there is an adequate gap between the two (8mm), as shown. If the gap needs to be adjusted, simply adjust the inline panel distance into the wallpost or the door position by adjusting the screws, see step 7.

3. Often shower trays have different angled top faces. In order to keep the fixed panel supported use adequate 'packing' (eg cardboard). **Make sure the panel is 'plumb' vertical.**



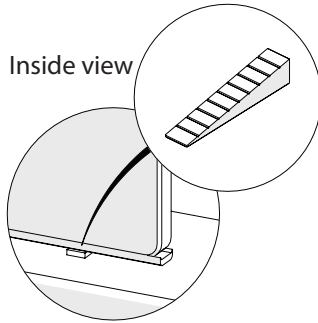
STEP 11. Insert Glazing Seal

1. Take 'Glazing Seal (31107),' Insert the seal to the inside of the enclosure, between the side glass panel and lip of the metal on the post. Note seal orientation. Start at the top and work downward, until the seal is fully inserted all the way down the panel.



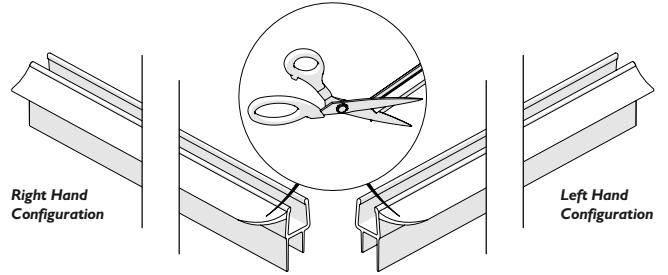
STEP 12. Insert Shim

1. The weight of the panel is now taken by the glazing seal applied in the last step. Remove the 'packing' under the panel. **On the inside** of the enclosure measure the gap between the bottom of the glass and top of the tray, select the height required from the shim strip supplied, break off and insert under rail. The shim will be concealed by silicone sealant later.



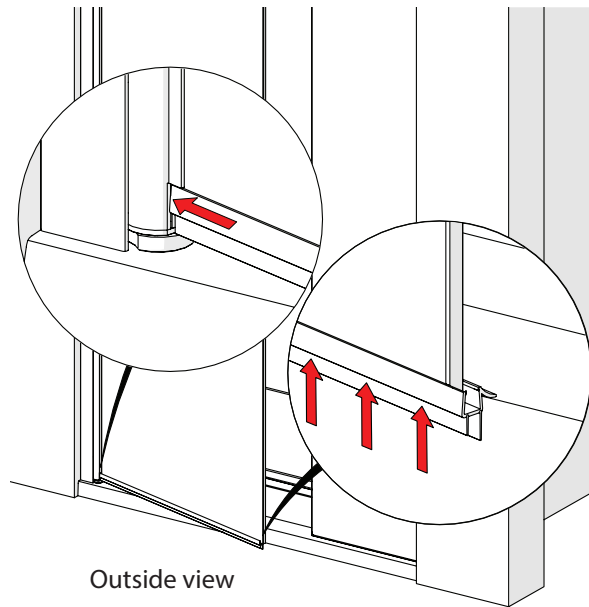
STEP 13. Prepare Door Seal PLEXRF-052

1. Acquire PLEXRF052 from the Door Pack. Cut the corner of the rigid flipper at 45 degree angle, as shown below. Cut the end depending on your opening. The none cut side is to go up against the pivot barrel for reference. Using adequate scissors. **Make sure the end that's cut has no sharp edge, cut a smooth curve.**



STEP 14. Add Door Seal PLEXRF-052

1. Add the prepared Door Seal PLEXRF-052 to the bottom edge of the Door. Orientation as shown, with the water ramp on the inside of the enclosure. Make sure the seal runs right up to the Pivot Barrel. The seal will over hang the end of the door glass, as shown.



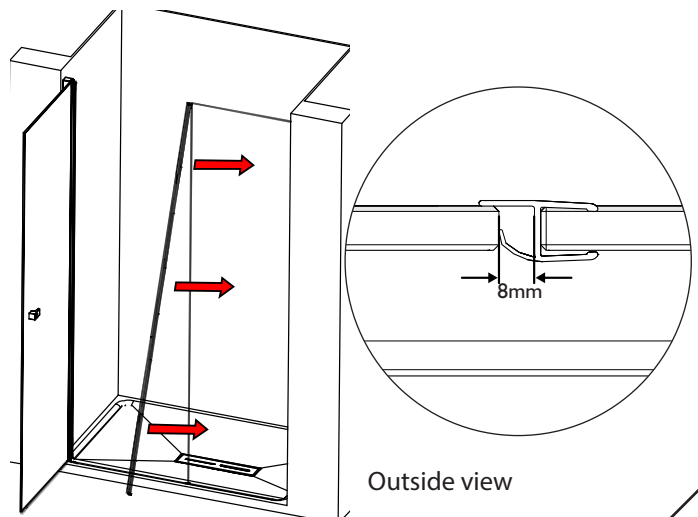
STEP 15. Fit Door Stop Seal

1. Take fixed panel seal (PLEXRF-051) and fit it to the edge of the fixed panel.

Note orientation of seal as shown.

Ensure the door is positioned outside of the enclosure. Make sure the seal is fully inserted from top to bottom, use your thumb to apply pressure. It is important that the door and the in line panel seal run parallel to each other as this ensures a water tight seal.

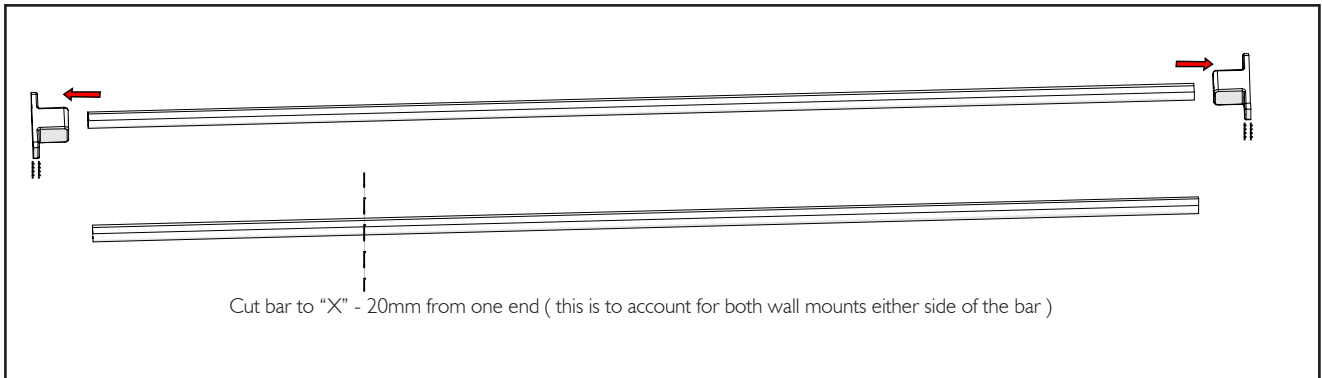
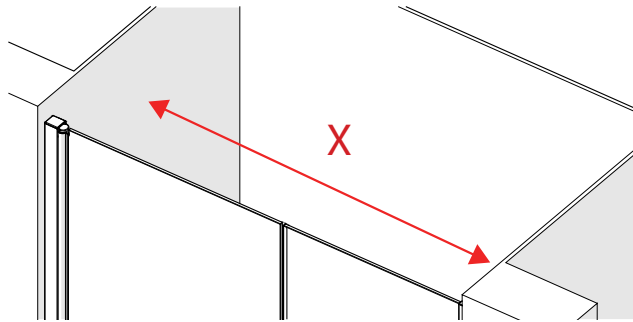
If this isn't the case either the in line panel, or fixed panel will need adjusted.



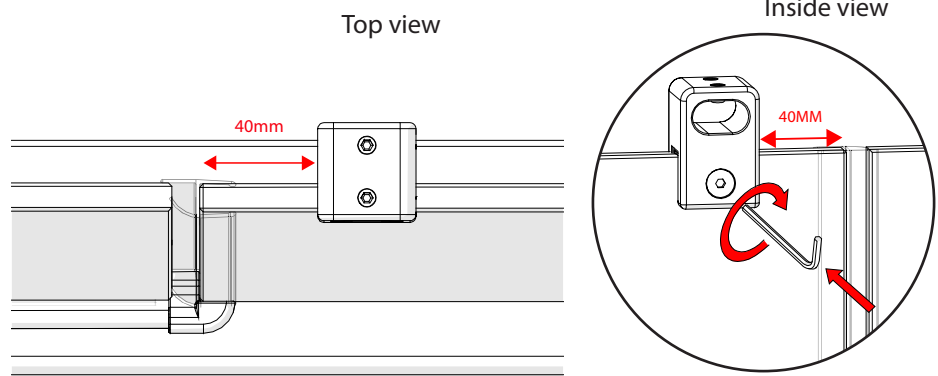
STEP 16 - FITTING STABILISER BAR FOR RECESS 900-1200

1. Measure the distance, from INSIDE, between both walls as shown. This gives you dimension "x".

2. Deduct 20mm from this measurement and carefully cut the longer PD170 tie bar to suit using hacksaw.

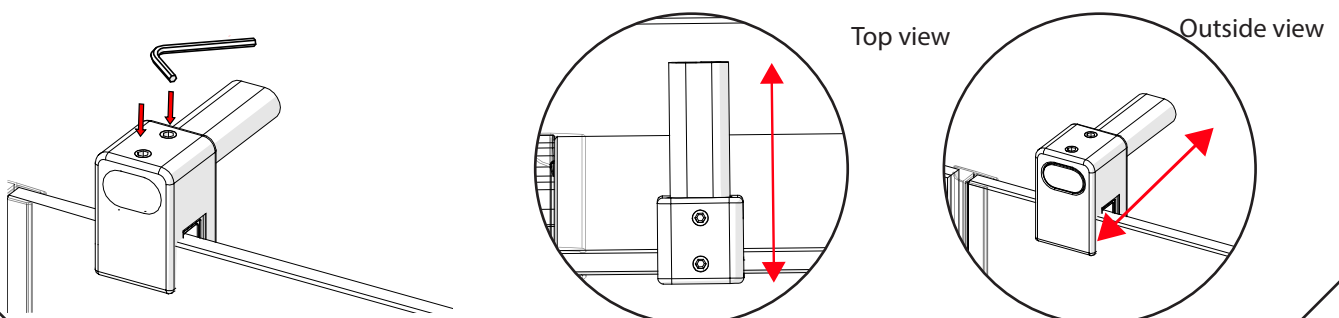


3. Position DCM49 top clamp onto fixed panel 40mm in from glass edge. Secure position by tightening screw (from the inside) using 3mm allen key supplied as shown.

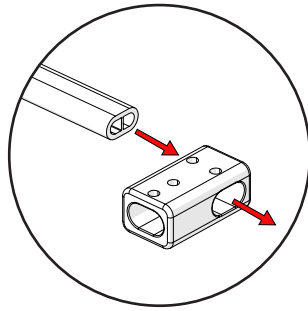


4. Slide smaller PD170 tie bar into oval hole in DCM49 top clamp.

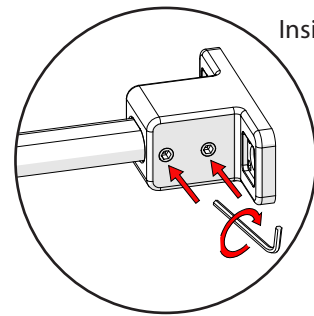
5. Secure by tightening the two grub screws at the top of DCM49 using the supplied 3mm allen key.



6. Take the longer PD170 (which you cut to size in Step 16 section 2). Slide this through DCM50 rail conector assembly.



7. Once this is in position, add both Wall mounts, DCM63, onto both ends of the tie bar. Secure by tightening grub screws with the supplied 3mm allen key. Ensure grub screws are facing the inside of the enclosure on both wall mounts as shown.

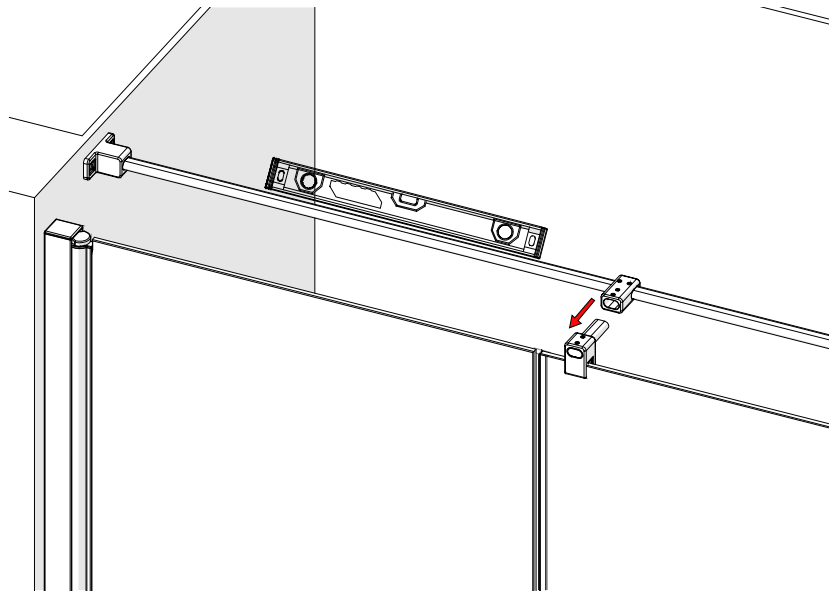
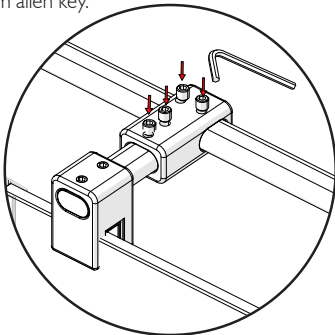


Inside view

8. Now carefully position your assembly within the shower area at the correct height, ensure that grub screws are loose and slide the rail connector, DCM50, up and down the bar accordingly to ensure it is in the correct position to slot over the already installed tie bar.

Slot the rail connector in place whilst using a spirit level at the top of the tie bar to ensure the bar is horizontal and parallel with the enclosure as shown.

Secure in place by tightening grub screws with supplied 3mm allen key.



9. With tie bar in position, ensuring both wall mounts sit flush against both walls, take a pencil and mark through the two centre holes in both wall mounts.

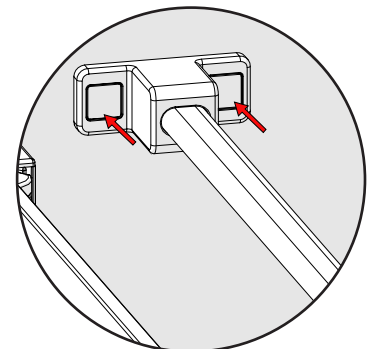
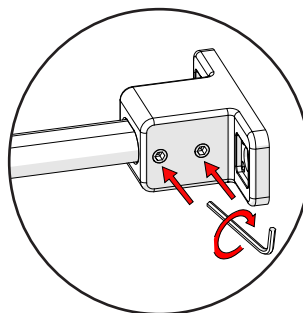
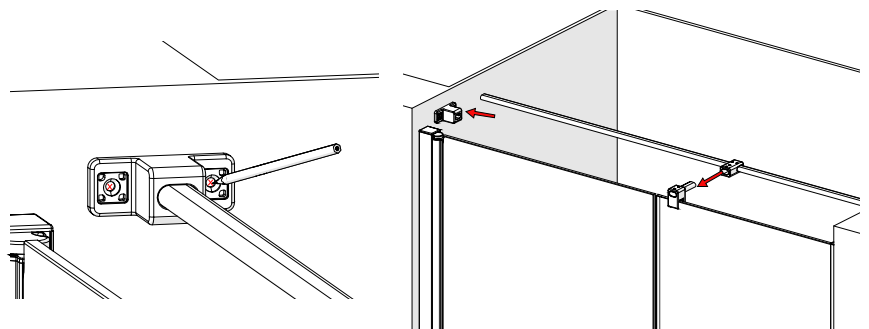
B) Now loosen the rail connector, DCM50, from the shorter installed tie bar and remove.

C) Using a 6mm drill bit, drill through holes in the four positions which you just marked with a pencil , and fit four wall plugs supplied.

D) Dismantle both wall mounts from either end of the tie bar , which you had in place for setp 16 section 7, and using no 8 x 30 CSK screws supplied, fit both wall mounts to the wall. Ensure that grub screws face to the inside.

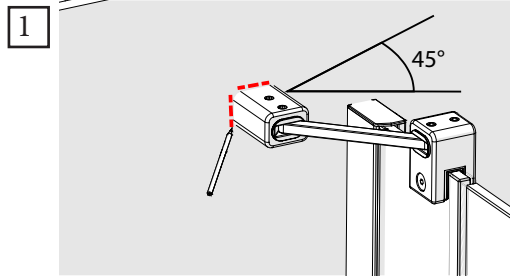
E) Repeat step 16 section 6 and section 8 , ensuring that the tie bar positions into both of the now in place wall mounts.

F) Secure in place by tightening all grub screws with supplied 3mm allen key and fit all four square cover caps.

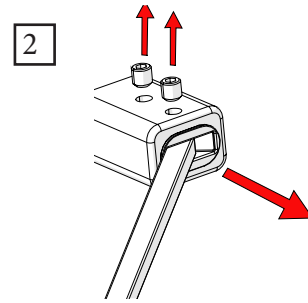


STEP 16- FITTING STABILISER BAR FOR RECESS 800 ONLY

1. Loosely position assembled angled bracket on top of fixed panel, position so that the arm, MSO, is in a 45 degree angle and that wall mount assembly, DCM5 I, makes contact with wall. Ensure the arm is horizontal. then mark position of wall mount as shown.

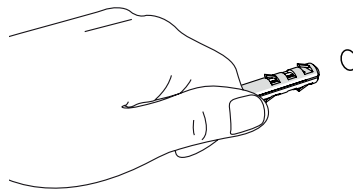


2. Loosen the top two grub screws on wall mount, DCM5 I, using supplied 3mm allen key to remove the remaining assembly



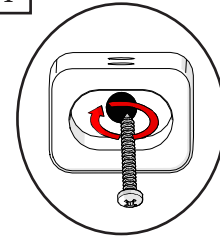
3. Find the centre hole of the wall mount and using 6mm drill bit, drill positioned hole and fit supplied wall plug.

3



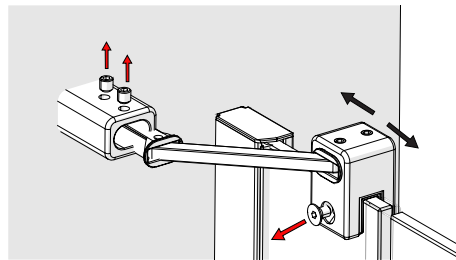
4. Using supplied no. 8 x 30 PAN SK, fit wall mount to wall. Ensuring that the grub screws face upwards.

4



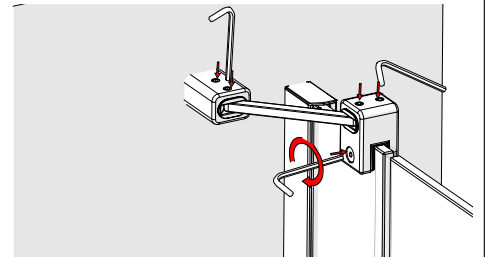
5. Position the remaining assembly on top of the fixed panel. Ensuring to keep the front screw in the glass clamp loose so that the clamp can move freely sideways along the fixed panel as shown.

5



6. Position so that the arm slots inside the wall mount. Secure glass clamp to the fixed panel by tightening the screw. Then tighten grub screws on wall mount using supplied allen key as shown.

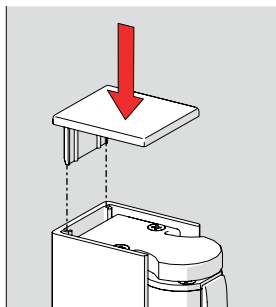
6



STEP 17. Insert Wallpost End Caps

1. Add the End Caps, M503-01 to the door post.

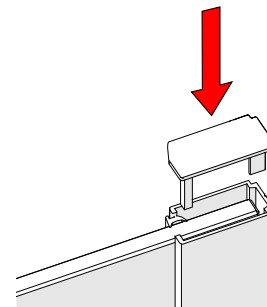
Outside View



2. Choose applicable wallpost cover cap (81190/91) L or R depending on your chosen install for the inline panel wallpost.

3. Position cover cap above wallpost so that the longer edge of the cover cap matches up to the longer edge of the wallpost and press down to secure.

Outside View



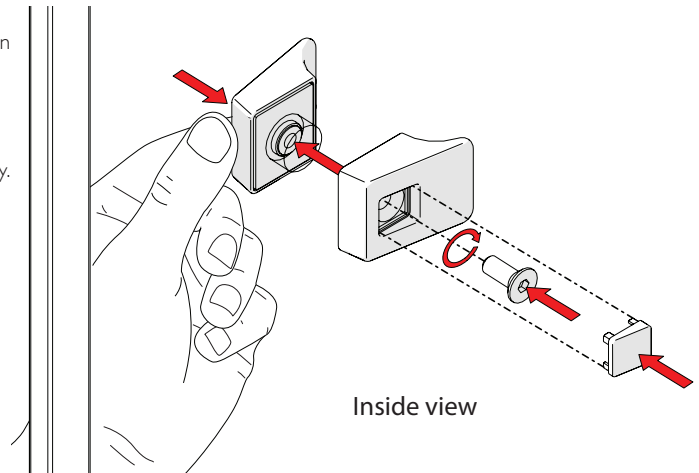
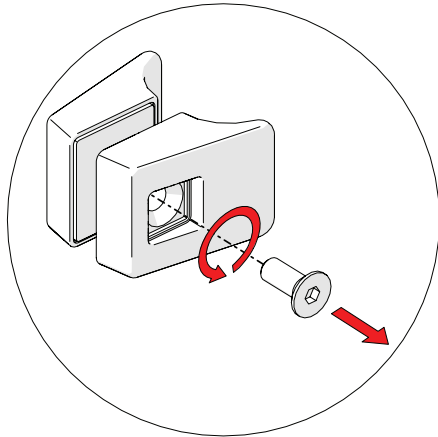
STEP 18. Fit Handle

1. Acquire the Handle (934-HNDL-34) out of the Door Installation Pack. Separate the handle halves by removing the screw, using 4mm allen key provided.

Add the handle to the door glass using the screw previously removed, as shown below.

Make sure screw is facing the inside of the enclosure.

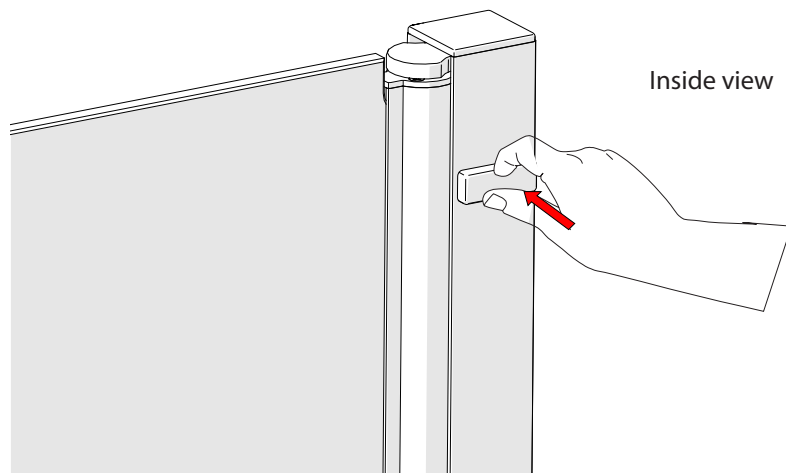
Once the handle is secure add the screw cover cap found with handle assembly.



STEP 19. Insert Screw Mouldings

1. Take the three 'Wall Post Screw Caps' from the Door Installation Pack and place over the 'Wallpost Screw Mouldings' previously fitted in step 7. The 'Wall Post Screw Caps' can be easily removed if you ever need to make an adjustment of the Door position.

The screw caps maybe fitted after step 21 to make silicone process easier.

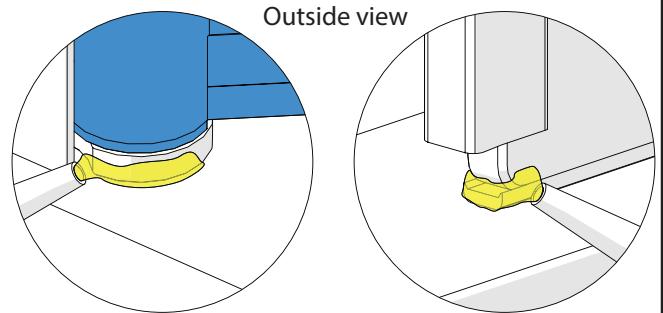


APPLYING SILICONE

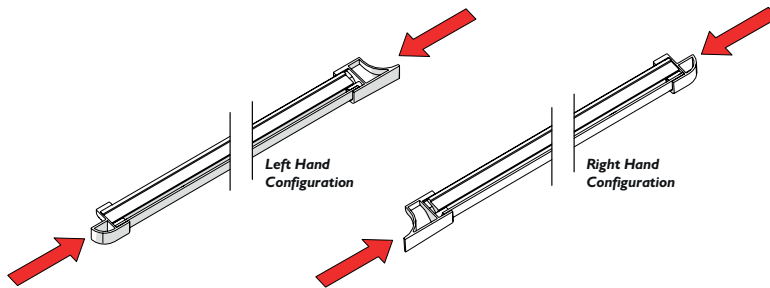
STEP 20. Silicone and Apply Water Threshold Strip

Before carrying out these last steps make sure you are happy with the door function. Won't be able to adjust after silicone is applied.

1. Apply a small bead of silicone to the Fixed Panel bottom edge and the Pivot Base Cast, as shown and highlighted yellow below. This is where the threshold strip end caps are going to fit. Make sure silicone doesn't come into contact with the Pivot Door Barrel, highlighted blue below.

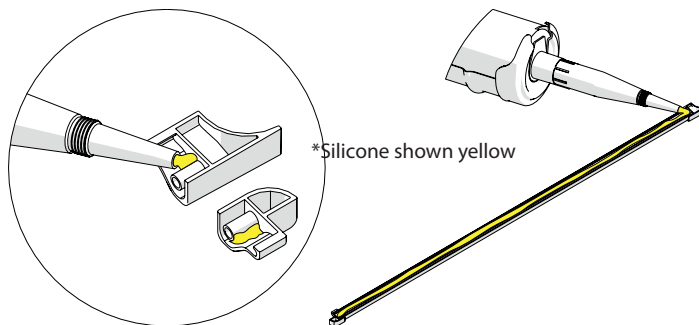


2. Configure the Threshold Strip (PD199) in either the Left or Right Configuration depending on the handing of your door.

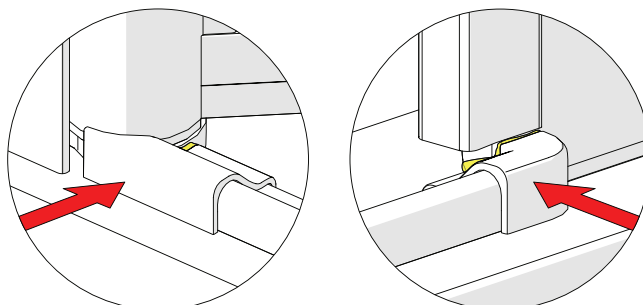


3. Silicone the end caps being used. Silicone a 'pea' sized amount, as shown.

4. Insert the end caps to the Threshold Extrusion ends and silicone the underside of the threshold strip, as shown. Use a thin small amount of silicone.



5. Carefully add the siliconed strip into position, as shown. Make sure the end caps touch up to the inline panel and the Door Pivot Barrel.

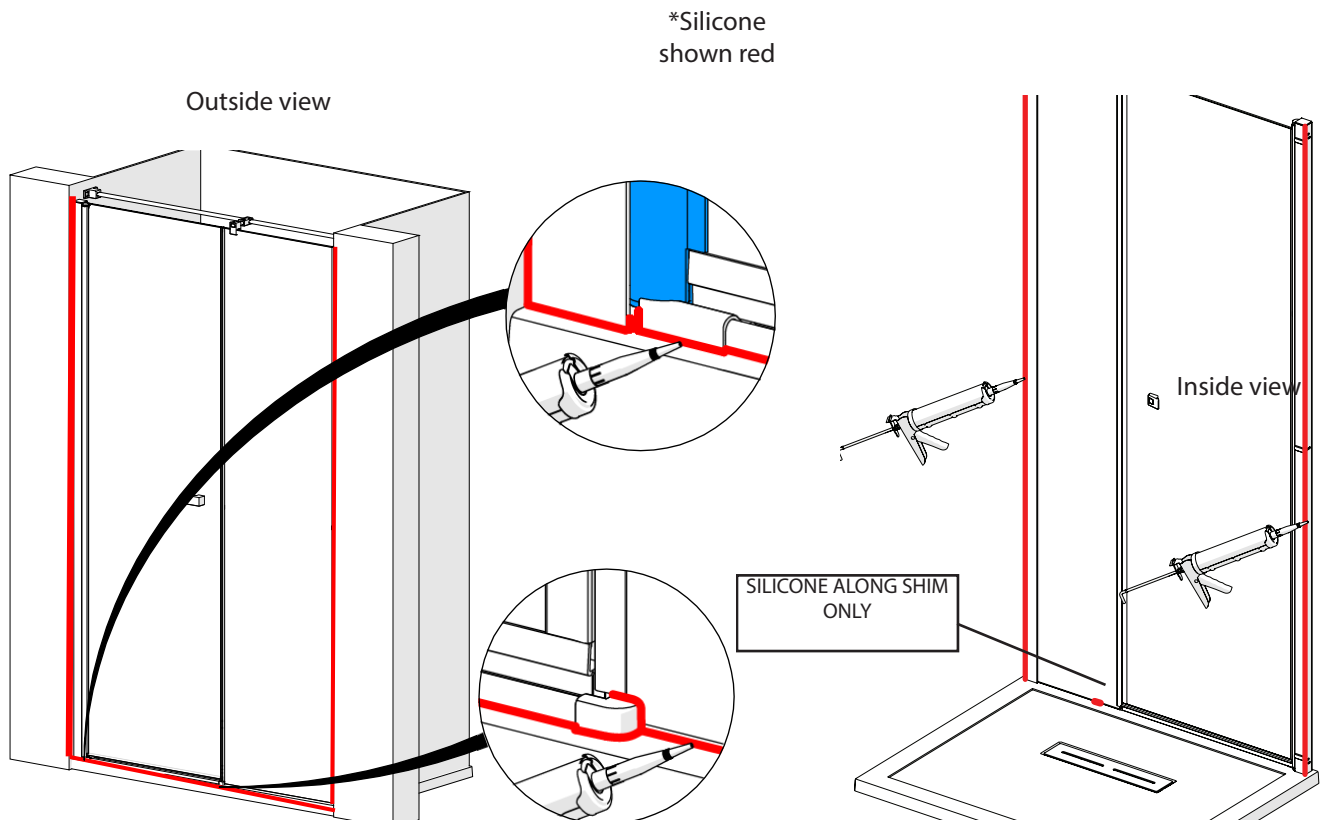


STEP 21. Silicone

1. On the outside, silicone around all three junctions with the wall and tray, and also on the wallposts where the sill meets the uprights. On the inside, only silicone along the two vertical junctions with the wall. **Do not silicone seal on the inside of unit (except where shown)**. Sealing the wall posts to the tray on the inside can result in leakage problems - please note that, in use, water can penetrate into the extrusions - this has no detrimental effect to the product- however, this water must be allowed to drain out of the extrusions to the inside.

Make sure silicone doesn't come into contact with the Pivot Door Barrel, highlighted blue below. As this is the mechanism by which the door pivots. Silicone the water threshold and end caps, as shown.

When installed correctly, Kudos guarantee the enclosure will not leak under normal showering use, ie. when the shower head is in it's normal showering position. N.B. - Using the shower head to clean/rinse down the enclosure does not constitute normal showering use.



STEP 22. Wait 24hr

1. Allow 24 hours before using the shower.

